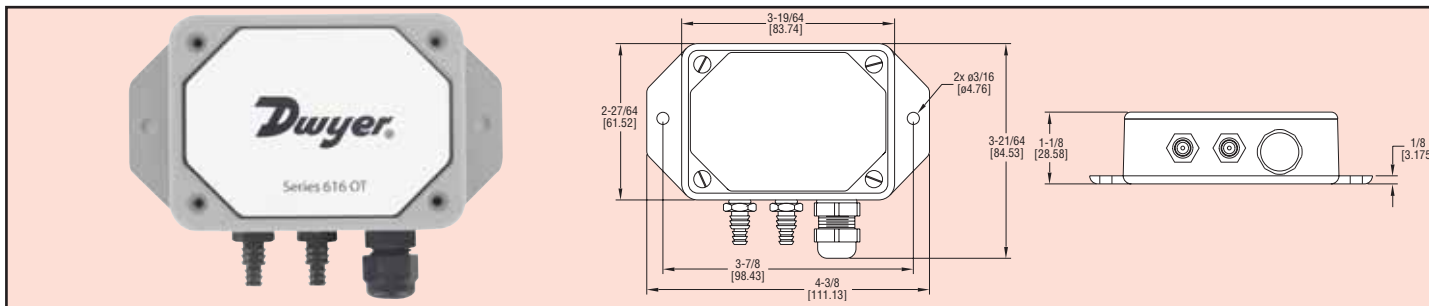




Series
616OT

One-Touch™ Differential Pressure Transmitter

One Button Calibration Reduces Installation and Calibration Time



The Series 616OT One-Touch™ Differential Pressure Transmitter is designed for simplicity making it the ideal choice for installers and maintenance professionals.

The Series 616OT One-Touch™ Differential Pressure Transmitter is a cost-effective, compact transmitter that reduces up front costs as well as expenses over the life of the product. The 616OT One-Touch™ Transmitter not only alleviates cumbersome turn pots typically found in most transmitters, but eliminates entirely the need to span the instrument during calibration. With a single digital push button, both ZERO AND SPAN are calibrated properly, nothing else is required. No additional reference pressure sources and separate calibration devices are necessary; no need to remove from service and send to the lab. All the installer or user needs to do is let the unit sit at zero reference pressure, and then push a button. That is it! The transmitter is now ready for operation. Time savings are enormous over the life of the product compared to traditional transmitters which require time to annually remove the product from service as well as the extensive time to actually perform a full span calibration.

Mounting is simple with back mounting tabs that are inherent to the molded housing. Wiring the transmitter is quick and convenient with a removable terminal block that allows the installer to wire externally, then snap the wired block back onto the board inside the housing.

Series 616OT One-Touch™ Transmitter



One Touch
Button
for quick
setting of
zero & span

SPECIFICATIONS

Service: Air and non-combustible, compatible gases.

Wetted Materials: Consult factory.

Accuracy: ±1%.

Thermal Effect: ±0.05%/°F
(±0.03%/°C).

Stability: ±1% F.S. / year.

Temperature Limits: 0 to 140°F
(-18 to 60°C).

Pressure Limits: 1 psi maximum operation; 10 psi burst.

Power Requirements: 2-wire, 10 to 35 VDC.

Output Signal: 2-wire, 4 to 20 mA.

Response Time: 300 ms.

Pressure Calibration: One digital push button sets both zero & span simultaneously.

Loop Resistance: Current output: 1250 Ohm max.

Current Consumption: 40 mA max.

Electrical Connections: Removable European Style Terminal Block for 16 to 26 AWG.

Electrical Entry: Cable gland for 0.114 to 0.250" (2.9 to 6.4 mm) diameter cable.

Process Connections: Barbed, dual size to fit 1/8" (3 mm) and 3/16" (5 mm) I.D. rubber or vinyl tubing.

Enclosure Rating: NEMA 4X (IP65).

Weight: 4.0 oz (115 g).

Agency Approval: CE pending.

Model Number	Ranges
616OT-10	10" w.c.
616OT-15	15" w.c.
616OT-20	20" w.c.
616OT-2 KPA	2 kPa
616OT-3 KPA	3 kPa
616OT-5 KPA	5 kPa