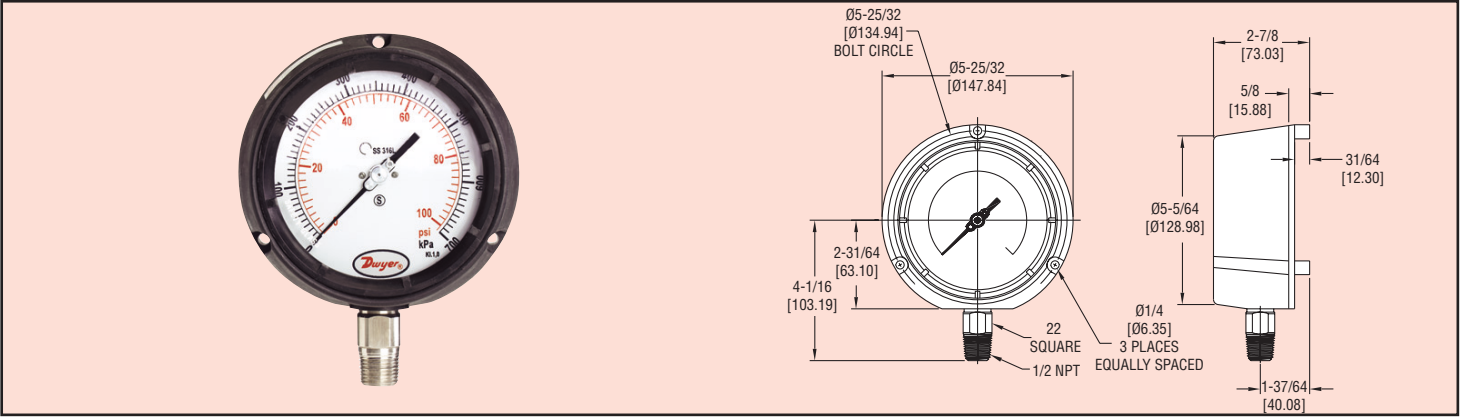




Series 761

# Process Pressure Gage

Liquid-Fillable, ±0.5% Full Scale Accuracy



Series 761 Process Pressure Gages possess a dual English/metric scale with ±0.5% full scale accuracy. The gages may be easily liquid filled in the field without the need for a separate kit. The gages are designed with 316L Stainless Steel tube and socket for excellent chemical compatibility and cover a wide offering of ranges from full vacuum, compound to 20,000 psi.

**STOCKED MODELS**

Model Number	Range
761-1	0-15 psi (0-100 kPa)
761-2	0-30 psi (0-200 kPa)
761-3	0-60 psi (0-400 kPa)
761-4	0-100 psi (0-700 kPa)
761-5	0-160 psi (0-1100 kPa)
761-6	0-30" Hg vac (0 to -100 kPa)

Note: Contact factory for compound or positive pressure ranges to 20,000 psi.

**SPECIFICATIONS**

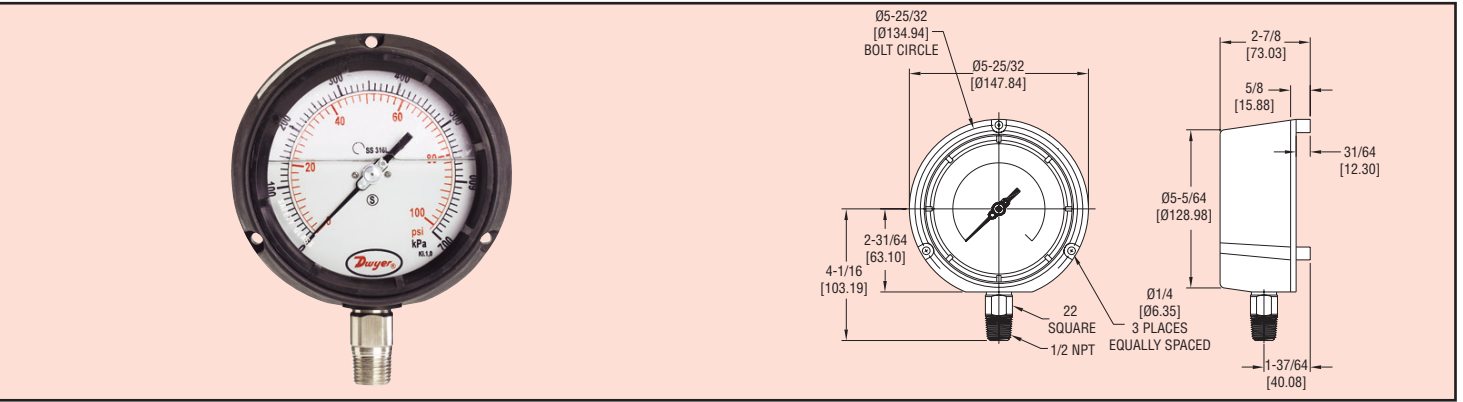
- Service:** Compatible gases and liquids.
- Wetted Materials:** 316L Stainless Steel Bourdon tube & connection.
- Housing:** Fiberglass reinforced Polypropylene with safety glass.
- Accuracy:** ±0.5% full scale, ASME B40.1, Grade 2A.
- Pressure Limit:** 130% of full scale for ranges 8000 psi or less. 115% of full scale for ranges greater than 8000 psi.
- Temperature Limit:** Ambient: -4 to 150°F (-20 to 65°C); Process: 300°F max (150°C max).
- Size:** 4-1/2" (115 mm).
- Process Connection:** 1/2" male NPT.
- Enclosure Rating:** NEMA 3 (IP55).
- Weight:** 23 oz (650 g).



Series 762

# Process Pressure Gage

Glycerin Filled, ±1% Full Scale Accuracy



Series 762 Process Pressure Gages possess a dual English/metric scale with ±1% full scale accuracy. The 762 gages offer superior performance for applications where vibration, pulsation, mechanical shock, and pressure spikes are common due to its glycerin filled housing. The gages are designed with 316L Stainless Steel tube and socket for excellent chemical compatibility and cover a wide offering of ranges from full vacuum, compound to 20,000 psi.

**STOCKED MODELS**

Model Number	Range
762-1	0-15 psi (0-100 kPa)
762-2	0-30 psi (0-200 kPa)
762-3	0-60 psi (0-400 kPa)
762-4	0-100 psi (0-700 kPa)
762-5	0-160 psi (0-1100 kPa)
762-6	0-30" Hg vac (0 to -100 kPa)

Note: Contact factory for compound or positive pressure ranges to 20,000 psi.

**SPECIFICATIONS**

- Service:** Compatible gases and liquids.
- Wetted Materials:** 316L Stainless Steel Bourdon tube & connection.
- Housing:** Fiberglass reinforced Polypropylene with safety glass.
- Fill Solution:** Glycerin.
- Accuracy:** ±1% full scale.
- Pressure Limit:** 130% of full scale for ranges 8000 psi or less. 115% of full scale for ranges greater than 8000 psi.
- Temperature Limit:** Ambient: -4 to 150°F (-20 to 65°C); Process: 150°F max (65°C max).
- Size:** 4-1/2" (115 mm).
- Process Connection:** 1/2" male NPT.
- Enclosure Rating:** NEMA 3 (IP55).
- Weight:** 26 oz (750 g).