

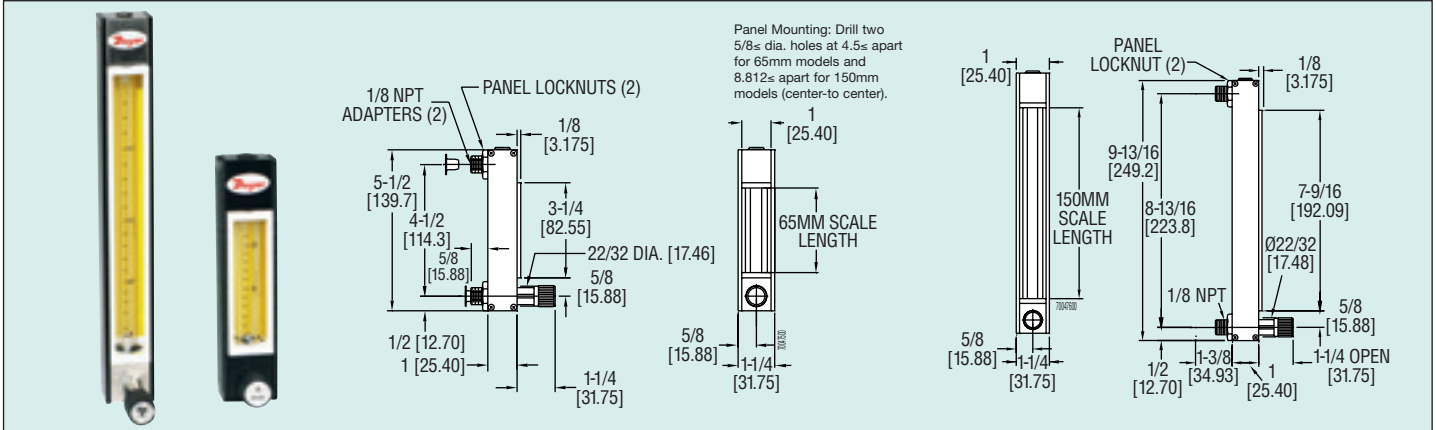


Series
DR

Direct Reading Glass Flowmeters

65mm and 150mm, ±5% FS Accuracy, Interchangeable Flowtubes

FLOW



Use Series DR Glass Flowmeters to accurately measure flow rates of air or water with the convenience of a direct reading scale. Permanently fused ceramic scale has integral float guides for optimum float performance. Reflective plastic background and 1.5 X magnification lens reduces eye fatigue and allows for more accurate readings. Units include a safety blow-out back panel for additional protection. Flowmeters are shipped completely assembled and include standard panel mounting hardware for quick installation.

SPECIFICATIONS

Service: Compatible gases or liquids.

Wetting Materials:

- Flowtube: Borosilicate glass.
- Float: 316 stainless steel (black glass as indicated).
- Float Stops: Teflon®.
- End Fittings: Anodized Aluminum or 316 stainless steel.
- O-rings: Buna-N on aluminum models and Viton® on stainless steel models.

Temperature Limit: 250°F (121°C).

Pressure Limit: 250 psig (17 bar).

Accuracy: ±5% FS @ 70°F (21.1°C) and 14.7 psia (1 atm absolute).

Repeatability: ±0.25% of scale reading.

Scales: Direct reading 65 mm or 150 mm scales for air or water.

Turn-down Ratio: 10:1.

Connection: 1/8" female NPT.

Mounting: Vertical.

Valve: 6-turn needle (standard on models with valve).

POPULAR MODELS

Model Number		65 mm Scale		Flow Rate (Air) scfh (LPM)	Flow Rate(H ₂ O) gph (ccm)
Without Valve		With Valve			
Aluminum	SS	Aluminum	SS		
DR10010*	DR12010*	DR10410*	DR12410*	0.24 (130†)	—
DR10022	DR12022	DR10422	DR12422	0.65 (300†)	—
DR10030*	DR12030*	DR10430*	DR12430*	1.1 (500†)	—
DR10042	DR12042	DR10442	DR12442	2.2 (1000†)	—
DR10062	DR12062	DR10462	DR12462	4.4 (2.1)	—
DR10070*	DR12070*	DR10470*	DR12470*	11 (5)	—
DR10082	DR12082	DR10482	DR12482	20 (9.5)	—
DR10090*	DR12090*	DR10490*	DR12490*	55 (24)	—
DR100102	DR120102	DR104102	DR124102	100 (50)	—
DR100120*	DR120120*	DR104120*	DR124120*	—	0.02 (1.5)
DR100132	DR120132	DR104132	DR124132	—	0.1 (6.5)
DR100140*	DR120140*	DR104140*	DR124140*	—	0.13 (8)
DR100152	DR120152	DR104152	DR124152	—	0.36 (24)
DR100172	DR120172	DR104172	DR124172	—	0.9 (55)
DR100180*	DR120180*	DR104180*	DR124180*	—	2.2 (140)
DR100192	DR120192	DR104192	DR124192	—	4.4 (280)
DR100200*	DR120200*	DR104200*	DR124200*	—	10 (600)
DR100212	DR120212	DR104212	DR124212	—	24 (1500)

Model Number		150 mm Scale		Flow Rate (Air) scfh (sccm)	Flow Rate(H ₂ O) gph (ccm)
Without Valve		With Valve			
Aluminum	SS	Aluminum	SS		
DR20032	DR22032	DR20432	DR22432	0.33 (160)	—
DR20082	DR22082	DR20482	DR22482	0.54 (270)	—
DR200132	DR220132	DR204132	DR224132	2 (840)	—
DR200182	DR220182	DR204182	DR224182	3.8 (1800)	—
DR200232	DR220232	DR204232	DR224232	10 (4800)	—
DR200282	DR220282	DR204282	DR224282	16 (7500)	—
DR200332	DR220332	DR204332	DR224332	35 (16000)	—
DR200382	DR220382	DR204382	DR224382	90 (44000)	—
DR200432	DR220432	DR204432	DR224432	—	0.05 (3.2)
DR200482	DR220482	DR204482	DR224482	—	0.075 (4.6)
DR200532	DR220532	DR204532	DR224532	—	0.34 (21)
DR200582	DR220582	DR204582	DR224582	—	0.75 (46)
DR200632	DR220632	DR204632	DR224632	—	2.2 (135)
DR200682	DR220682	DR204682	DR224682	—	3.3 (210)
DR200732	DR220732	DR204732	DR224732	—	7.5 (480)
DR200782	DR220782	DR204782	DR224782	—	21 (1300)

APPLICATIONS

Glass flowmeters are suitable for metering gases or liquids for film processing, paper manufacturing, chemical processing, semiconductor industry, water and air pollution analysis equipment, metals processing, industrial fuel and energy conservation, cylinder gas metering, and general laboratory and industrial applications.

Add suffix "M" for metric scale.

* Denotes glass float.

† Metric models use ccm as unit of measure.