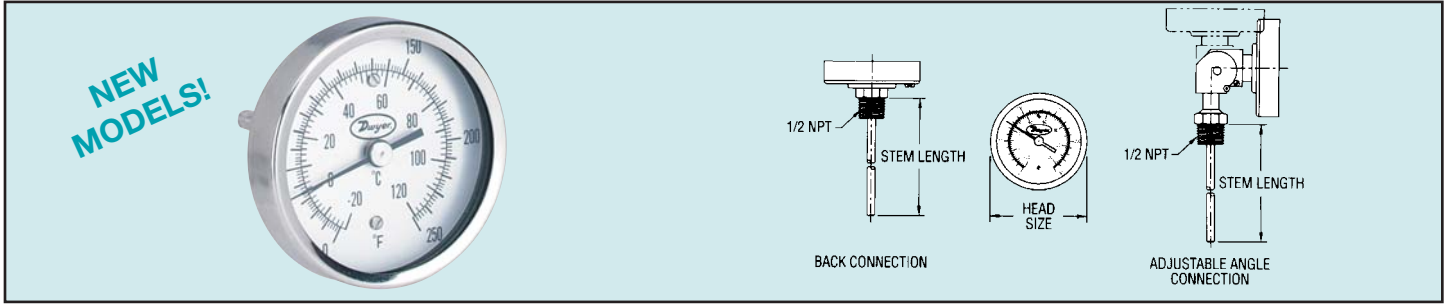




Series
BT

Bimetal Thermometers

2", 3" or 5" Dial, Dual Scale, $\pm 1\%$ FS Accuracy, External Reset



Series BT Bimetal Thermometers offer accurate, reliable service even in the toughest environments. These corrosion resistant units are constructed from stainless steel and are hermetically sealed to prevent crystal fogging. The bimetal element directly drives pointer, eliminating gears and linkage. An external reset screw allows field calibration and easy-to-read aluminum dial minimizes parallax error. Choose back connection, lower connection or adjustable angle for easy viewing and installation. Adjustable models can be rotated a full 360° and tilted over a 180° arc. NOTE: When using in pressurized applications, use a suitable thermowell.

SPECIFICATIONS

Wetted Materials: 304 SS.

Accuracy: $\pm 1\%$ full scale.

Response Time: ≤ 40 seconds.

Temperature Limits: Head: 200°F (93°C). Stem: Not to exceed 50% over-range or 1000°F (538°C) or 800°F (427°C) continuously.

Process Connection: 1/4" NPT on 2" dial size; 1/2" NPT on 3" or 5" dial size.

Materials of Construction: 304 SS stem, glass crystal, anodized aluminum dial, Series 300 SS head, bezel, and mounting bushing.

Stem Diameter: 1/4" O.D.

Immersion Depth: Minimum 2" in liquids, 4" in gas.

STOCKED MODELS

	Dial Size, Stem Length	Temperature Range, °F(°C)	Degree Div., °F(°C)	Model Number	Dial Size, Stem Length	Temperature Range, °F(°C)	Degree Div., °F(°C)
Back Connection				Adjustable Angle Connection			
BTB22551*	2", 2-1/2"	0/250	2	BTA54010D	5", 4"	0/200 (-20/100)	2 (2)
BTB2405D	2", 4"	0/250 (-20/120)	2 (2)	BTA5405D	5", 4"	0/250 (-20/120)	2 (2)
BTB2409D	2", 4"	200/1000 (100/550)	10 (5)	BTA5407D	5", 4"	50/550 (10/290)	5 (5)
BTB32510D	3", 2 1/2"	0/200 (-20/100)	2 (2)	BTA56010D	5", 6"	0/200 (-20/100)	2 (2)
BTB3255D	3", 2 1/2"	0/250 (20/120)	2 (2)	BTA5605D	5", 6"	0/250 (-20/120)	2 (2)
BTB3257D	3", 2 1/2"	50/550 (10/290)	5 (5)	BTA5607D	5", 6"	50/550 (10/290)	5 (5)
BTB34010D	3", 4"	0/200 (-20/100)	2 (2)	Lower Connection			
BTB3405D	3", 4"	0/250 (-20/120)	2 (2)	BTC3255D	3", 2.5"	0/250 (-20/120)	2 (2)
BTB3407D	3", 4"	50/550 (10/290)	5 (5)				
BTB3605D	3", 6"	0/250 (-20/120)	2 (2)				

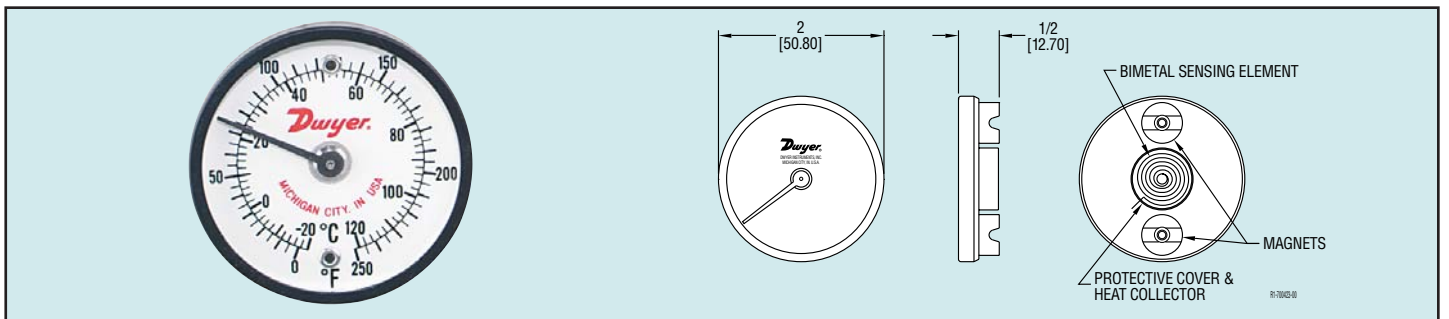
Temperature



Series
ST

Surface Mount Thermometer

2" Dual Scale Dial, $\pm 2\%$ Full Scale Accuracy



Measure the temperature of boilers, air ducts, motors, bearings, furnaces or other surfaces with Series ST Surface Mount Thermometers. Dual magnet design allows easy mounting on any ferrous surface. Bi-metallic thermal sensing coil provides quick temperature measurement with $\pm 2\%$ full scale accuracy.

SPECIFICATIONS

Accuracy: $\pm 2\%$ full scale.

Sensing Element: Bimetal coil.

Response Time: Approximately one minute.

Mounting: Two Alnico® magnets on back.

Materials of Construction:

Aluminum with optically clear crystal.

Head Size: 2" (5.08 cm).

Height: 1/2" (1.27 cm).

Weight: 2 oz (56.7 g).

STOCKED MODELS

Model Number	Range
ST250	0 to 250°F (-20 to 120°C)
ST500	0 to 500°F (-20 to 260°C)
ST750	0 to 750 °F (-20 to 399°C)

APPLICATIONS

Manifolds, platens, boilers, air ducts, furnaces, engines, motors, bearings, enclosures, cabinets, drums, plumbing, piping, refrigerators, and other ferrous surfaces.