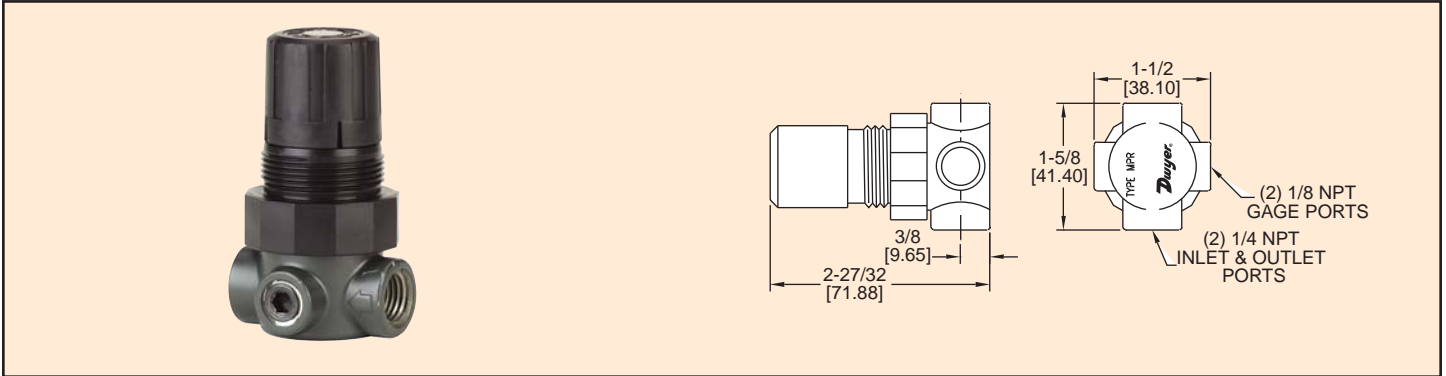




Series
MPR

Miniature Pressure Regulator

Air or Water Regulator, Compact and Lightweight, Low Cost



The Series MPR Miniature Pressure Regulators are compact units that provide low cost, high performance pressure regulation of compressed air or air/water. The low torque, non-rising adjustment knob with locking capability provides easy and precise adjustment. Models for use with air are self relieving. Models for air/water are non-relieving.

SPECIFICATIONS

Service: Compressed air or water.

Wetted Materials: Body: Zinc; Bonnet: Acetal; Diaphragm/Seals: Nitrile; Internals: Aluminum, brass, acetal, steel, music wire (MPR2 is plated with electroless nickel for water use).

Maximum Supply Pressure: 250 psig (17.2 bar).

Operating Temperature: 0 to 150°F (-18 to 60°C).

Flow Capacity: 24 SCFM (48 m³/hr) at 100 psig (6.9 bar) supply, 60 psig (4.1 bar) output.

Process Connection: Inlet and Outlet: Two 1/4" female NPT; Two 1/8" female NPT gage ports.

Weight: 4 oz (113 g).

STOCKED MODELS in bold

Model Number		Range
Air	Air/Water	
MPR1-0	MPR2-0	0 to 5 psi
MPR1-1	MPR2-1	0 to 15 psi
MPR1-2	MPR2-2	0 to 30 psi
MPR1-3	MPR2-3	0 to 60 psi
MPR1-4	MPR2-4	0 to 100 psi

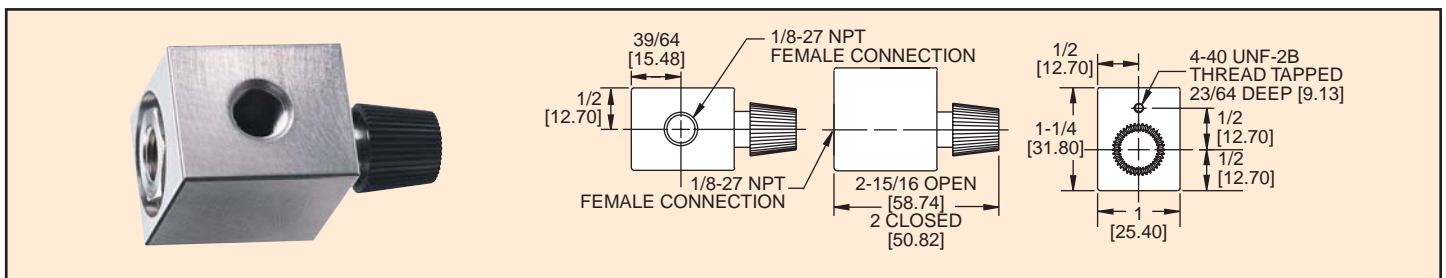
Valves



Series
NV

Needle Valve

Economical, Pressures Up to 500 psig, 90° Flow Pattern



Series NV Needle Valves are an economical valve for regulating pressures up to 500 psig (34.5 bar). The Series NV is suitable for air, water, oil and other compatible fluids, and can be panel mounted to accommodate a 90° flow pattern. The valves can be used independently or as a remote valve for Dwyer flowmeters.

SPECIFICATIONS

Pressure Limit: 500 psig (34.5 bar).

Temperature Limit: 200°F (93.3°C).

Orifice Size: 0.120 in (3.05 mm).

Flow Coefficient: 0.36.

Max Flow: 1.75 gpm water (6.6 LPM), 500 scfh air (14,150 LPH).

Weight: 0.43 lb (195 g).

Connection Size: 1/8 – 27 female NPT.

STOCKED MODELS

Model No.	Description
NV-1B	Brass Block Valve
NV-1S	303 SST Block Valve